

CVC EC30 Wrap Around Labeler

- Lower Operating Costs

- Increase Operating Flexibility

- Unparalleled Service

- Quality that your Customers Demand

Labelers

Solid Dose Bottling Lines
Blister Packaging
Cartoning



The CVC EC30 Wrap Labeler is built to automatically apply pressure sensitive labels onto round containers at up to 120 bottles per minute. The economical EC30 is part of our EC Line of labelers which include servo motor drives and touch screen controls at very affordable price points. The EC 30 has 100 channels of memory and can be ordered with an optional Hot Stamp for lot/date coding on labels. The EC30 is an ideal machine for contract packagers and manufacturers serving the pharmaceutical, nutraceutical, and food markets.

"Leading Global Equipment Supplier"

www.cvcusa.com



CVC Technologies, Inc.

CVC EC30 Technical Specifications

Standard Features:

- Stainless Steel Base with Four Aluminum Alloy Foot Stands on lockable casters
- Aluminum Alloy conveyor frame
- Auto label Adjusting
- 8-Segment Control for Label Dispensing Speeds from Touch Screen Terminal
- Servo motor with PLC control
- Adjustable label Sensor
- Product Sensor with Opaque and Clear Bottle Mode
- Variable Speed Separator Wheel
- Capacity up to 120 bottles per minute (BPM)
- ISO 9001:2000 Certified

Container Specifications:

- Bottle Height: 2" up to 12" (50mm -305mm)
- Bottle Diameter: 1-3/8" to 4-3/8" (35mm -110mm)

Label Specifications:

- Label Width/Height: 5/8" to 6" (15mm -150mm) (dependent on labeling head type)
- Label Length: 5/8" to 10" (15mm -255mm)
- 300mm (12 inches) outside diameter label roll capacity with 3" core
- Label Head Dispense Speed: Maximum 60 Meters/Min.

Machine Specifications:

- Conveyor Width: 4"
- Conveyor Length: 79"
- Conveyor Bed Height: Standard 36" ($\pm 2"$)
- Machine Weight: 160 kg

Air/Electrical Requirements:

- Power: 220V, single phase, 2.27 AMP
- Air Pressure: 85psi (for Optional Lot/Date Printer)
- Air Consumption: 4 cfm (for Optional Lot/Date Printer)

Available Options:

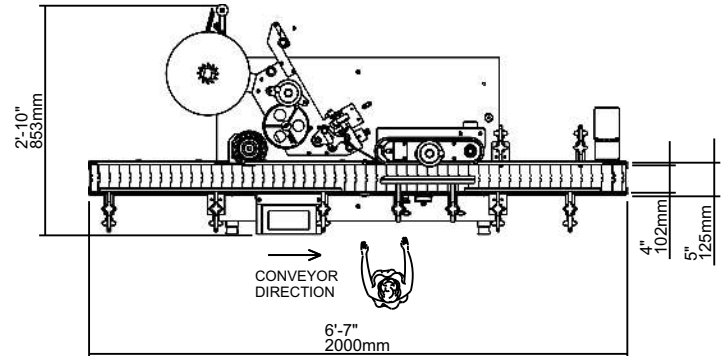
Printing:

- Hot Stamp (Lot/Date Coding)
Print Area: 2-3/4"(70mm)W x 2-1/2"(65mm)H
Type Sizes: 1.5mm, 2.0mm, or 2.5mm
Chase Size: 6 Lines of 13-18 Characters each
Low Ribbon Sensor

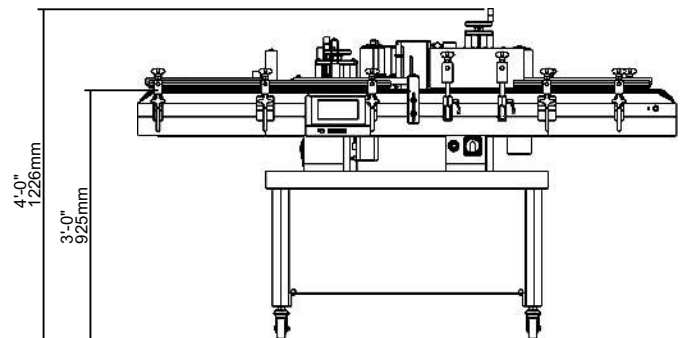
Assemblies:

- Loading and Collecting Turn Tables

Machine Layouts:



Top View



Front View

Dimensions shown are for standard machine. This labeler can run independently or be integrated into an automated packaging line.



Quality • Value • Service

Authorized CVC Dealer

Copyright © CVC Technologies, Inc. • May 2013 Edition